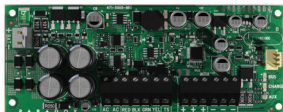


P ▲ R ▲ D O X™



PS25

Supervised Bus
Power Supply
EVO/MG/SP



Installation Manual

Introduction

The PS25 is a 2.8A supervised switching power supply that connects to the Paradox control panel's bus or may work as a standalone power supply.

The PS25 provides a maximum of 2.5A (13.8VDC) continuous auxiliary power output and charge battery with 300mA. Battery charging current may increase up to 1.2A if auxiliary current is reduced accordingly.

Compatibility

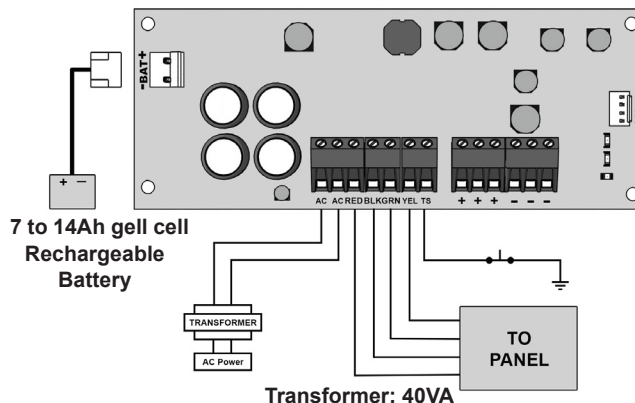
- EVO192, EVOHD all versions
- MG5050, SP5500, SP6000, SP7000 v7.14 and higher
- BabyWare v5.1 and higher
- Infield v5.1 and higher

Connections

Connect the 4-wire (**RED BLK GRN YEL**) to the panel keypad bus. Please note that the **RED (+)** terminal is not providing power nor is it connected in any way to the PS25; it is provided for convenience only.

Connect the battery (7Ah to 14Ah) and a 40VA transformer. Connect the tamper switch, no enrollment is needed, it will auto detect the tamper once the terminal is shorted and it will follow panel configuration.

Connect load to the three + and - terminals paralleled for your convenience.



Upgrading Firmware

The PS25's firmware can be upgraded in Infield via BabyWare using a 307USB Direct Connect Interface.

LED

LED	OFF	ON
BUS	No connection to panel	Panel online
CHARGE	Not charging	Battery charging
AUX	No power	Aux 10.5V - 14.0V RED: Voltage below 10.3V

Technical Specifications

AC Power	16Vac, 40VA, 50 - 60Hz
Auxiliary Power	13.8Vdc when AC present 12.8Vdc or battery1V when battery supply, Disconnect at 9.5V
Battery	12Vdc, 4Ah to 14Ah
Charging	300mA min to 1200mA (redirect from aux- iliary if less than 2.5A)
Operating Temperature	-20 to +50 C
Humidity	95% maximum
Bus Supervision	AC, Aux voltage, Battery
Dimensions (H x W x D)	5.6 x 14 x 2.5 cm (2.2 x 5.5 x 0.9 in.)



Programming EVO

1. Enter section **[3038]**.
2. Select option **[7]** to enable or disable Tamper supervision on the bus module. Default is disabled.
3. Enter section **[3034]**. Select option **[5]** and **[6]** to define Keypad/Bus Module Tamper Recognition options. Refer to the table below.

Options		Description
5	6	
OFF	OFF	Disabled
OFF	ON	Trouble only
ON	OFF	When armed: Follows zone types for zone tamper; generates trouble for module tamper When disarmed: Trouble only
ON	ON	When armed: Follows zone types When disarmed: generates audible alarm

4. Enter section **[4003]**.
5. Enter the PS25's eight-digit module serial number.
6. Enter the three-digit module section number you wish to program.
7. Enter section **[002]**. The value programmed in this section represents how long the Power Supply Module will wait before reporting an AC power failure to the control panel. The trouble and trouble restore will be generated after the AC fail delay of the module.
8. Enter a three-digit decimal value (000 to 255 minutes). Default is set 30 minutes.

Programming MGSP

1. Enter section **[700]**.
2. Select option **[7]** to enable or disable Tamper supervision on the bus module. Default is disabled.
3. Enter section **[705]**. Select option **[3]** and **[4]** to define Keypad/Bus Module Tamper Recognition options. Refer to the table below.

Options		Description
3	4	
OFF	OFF	Disabled
OFF	ON	Trouble only
ON	OFF	When armed: Audible alarm When disarmed: Trouble only
ON	ON	Audible alarm

4. Enter section **[839]**. The value programmed in this section represents how long the Power Supply Module will wait before reporting an AC power failure.
5. Enter a three-digit decimal value (000 to 255 minutes). Default is set 30 minutes.

Warranty

For complete warranty information on this product, please refer to the Limited Warranty Statement is found on the website: www.paradox.com/terms or contact your local distributor. Specifications may change without prior notice.

Patents

US, Canadian and international patents may apply. Paradox is a trademark or registered trademark of Paradox Security Systems (Bahamas) Ltd.